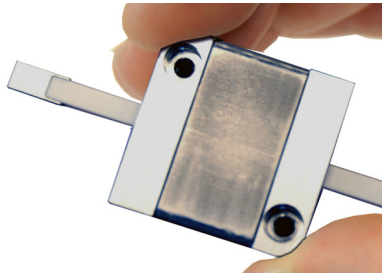


PiezoWalk® Nano-Positioning Actuators

Self Locking Motors, Ultra Stable, High Force, Compact

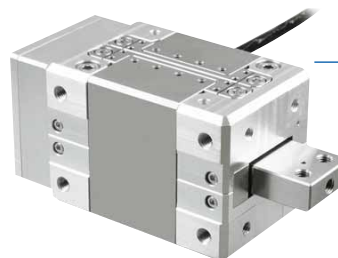
COMPACT



PRECISE



HIGH FORCE



PiezoWalk® Nano-Positioning Motor Principle

Millimeter Travel, Nanometer Resolution, High Forces

PiezoWalk® drives break away from the limitations of conventional Nanopositioning actuators. They offer a basically unlimited travel range and still provide the characteristic features of a piezoelectric actuator: an open-loop resolution down to 30 picometers and a very high stiffness for dynam-

ic operation and force generation. PI offers two product lines based on different versions of the PiezoWalk® principle: NEXLINE® and NEXACT®. Both provide specific advantages depending on the application.

PiezoWalk® piezo stepping drives usually consist of several individual piezo actuators and generate motion through succession of coordinated clamp / unclamp and shear-motion cycles (steps). Each cycle provides only a few microns of motion, but running at hundreds of hertz, the drive achieves continuous motion in the mm/second range.

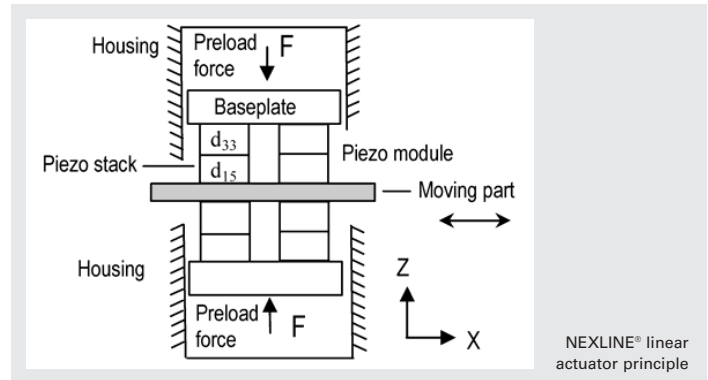
The PiezoWalk® working principle provides high force capabilities, resolution and repeatability. These properties are typi-

cally better for piezo stepping actuators compared to inertia drives or ultrasonic motors.

The operation is possible in two different modes: a high-resolution, high dynamics analog mode within a single step, and a step mode with virtually unlimited travel range.



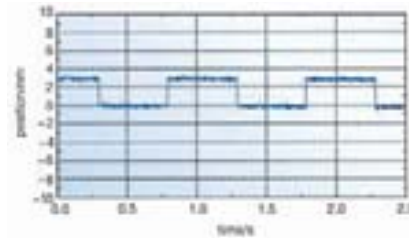
Custom PiezoWalk® linear actuator



Features and Advantages of PiezoWalk® Drives

- Very high resolution, limited typically only by the sensor. In fine-adjustment, analog mode, resolution of 30 picometers has been demonstrated.
- High force generation and stiffness. NEXLINE® drives can hold and generate forces to 600 N, NEXACT® to 15 N.
- PiezoWalk® drives hold a stable position to nanometer level in power-off mode. Due to the actuator design, the maximum clamping force is applied at rest.
- Because a position can be held with zero operating voltage, leakage currents cannot affect the integrity of the piezo drive.

- PiezoWalk® drives are available for non-magnetic applications such as super-conductivity experiments. They do not create magnetic fields nor are they influenced by them.
- The active parts in PiezoWalk® drives are made of vacuum-compatible ceramics. The drives also work in UV-light environments.
- NEXLINE® drives can survive shock loads of several g during transportation.
- PiezoWalk® drives are available in three levels of integration to provide flexibility for OEMs: OEM drives, packaged actuators and integrated into complex positioning systems such as multi-axis translation stages or 6-DOF Hexapods.



50 picometer steps with a NEXLINE® drive, measured with external ultrahigh-resolution capacitive sensor. This performance provides a big safety margin for next generation nanotechnology applications



6-axis parallel-kinematic nanopositioning system (Hexapod) with N-215 based NEXLINE® high-load actuators for use in strong magnetic fields

N-381 NEXACT® Linear Motor Nano-Positioning Actuator

High-Resolution PiezoWalk® Linear Actuator with Optional Position Sensor

N-381 piezo stepper linear actuator for sample positioning and manipulation provides long travel high speed and very high resolution; shown with E-861 NEXACT® Controller



- Travel Range 30 mm
- Zero-Wear Piezo Stepping Drive, Ideal for Micro- and Nano-Manipulation
- Integrated Linear Encoder Option for Highest Accuracy with 20 nm Resolution
- Very High Acceleration, e.g. for Cell Penetration
- Two Operating Modes: Continuous Stepping Mode and Continuously Variable, High-Dynamics Analog Mode for 30 µm Resolution**
- Up to 10 N Force Generation
- Self Locking at Rest, no Heat Generation
- Smooth Motion, no Closed-Loop Jitter
- Vacuum-Compatible and Non-Magnetic Versions

The compact N-381 linear actuators are ideal drives and micro manipulators e.g. for biotechnology and nanotechnology applications. Rapid accelerations, velocities of 10 mm/s

and forces up to 10 N enable high-dynamics and throughput for automation tasks. The PiezoWalk® drive principle allows long travel ranges and fast oscillations of 7 µm amplitude with frequencies up to several 100 Hz. This “analog mode” can be used to provide rapid acceleration, e.g. in cell penetration applications, or smooth motion for dynamic laser tuning or even for active damping of oscillations. Two models are available: The N-381.3A model is equipped with a high-resolution position sensor, allowing sub-micrometer repeatability in closed-loop operation. The N-381.30 open-loop version is intended for high precision applications where the absolute position is

not important or is controlled by an external loop (video, laser, quadcell, etc.).

Piezo Stepping Drive — the Multi-Functional Piezo Linear Motor

A great advantage characteristic of the NEXACT® piezo stepping drive is its dual-mode operating principle combining the best features of other piezo motor designs, such as high resolution, high force and high speed into one compact unit. At the target position the drive requires no current and generates no heat while providing long-term, nanometer stability. This autolocking feature also completely eliminates servo-jitter as it occurs with other

Ordering Information

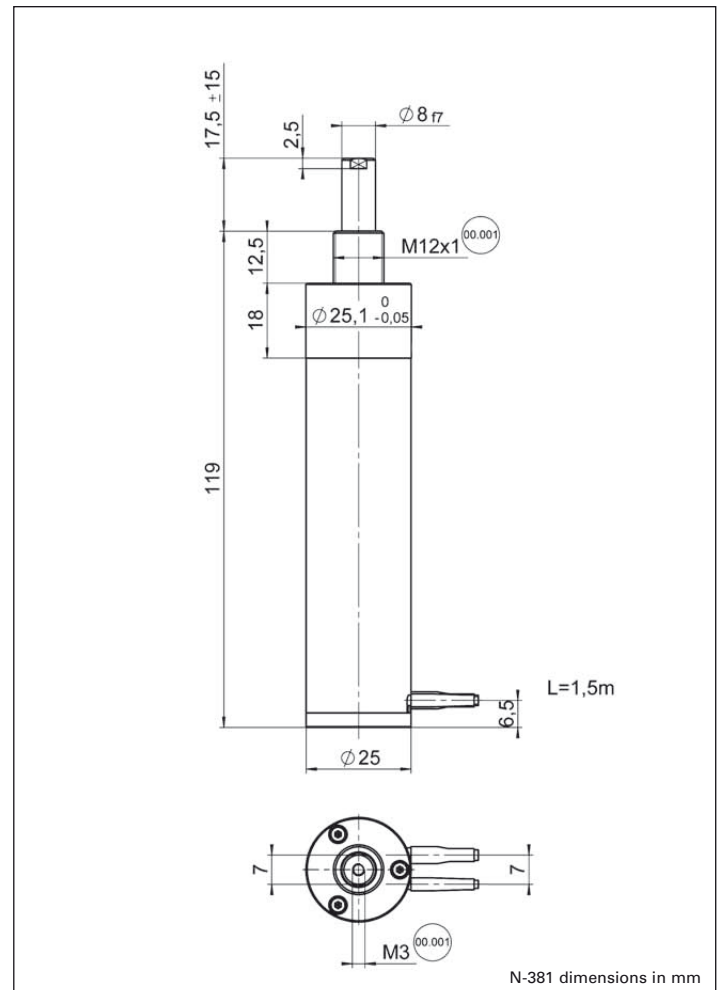
N-381.3A
NEXACTUATOR® Linear Actuator, 30 mm, 20 nm Encoder Resolution

N-381.30
NEXACTUATOR® Linear Actuator, 30 mm, Open-Loop

Available on request

Ask about custom designs!

closed-loop motors. Since motion is not based on dynamic friction as with piezo inertial drives (stick-slip-motors) but solely caused by the nanometer precise motion of clamped piezo actuators, there is no wear to limit the lifetime. When operated in closed-loop, excellent velocity control is achieved.



Application Examples

- Drive unit for scanning stage
- Cell manipulation, biohandling
- Micromanipulation
- Life science
- Photonics
- Laser tuning
- Motion in strong magnetic fields

Working Principle for Application Flexibility

NEXACT® PiezoWalk® technology overcomes the limitations of conventional nanopositioning drives and combines virtually unlimited travel ranges with high stiffness in a very small package. Furthermore, NEXACT® actuators provide piezo-class resolution (far below one nanometer) and millisecond responsiveness. The special drive design reduces the operating voltage to 45 V and below.

In operation, piezoceramic bending elements act on the runner, which is connected to the moving part of the application. The length of the runner determines the travel range

and can be chosen as required. To move the runner over longer distances the stepping mode is used, whereas for distances smaller than one step, the analog mode enables high-dynamics positioning with resolutions far below one nanometer.

Controllers and Drivers Optimized for the Application

NEXACT® actuators require special drive electronics to control the complex stepping sequences. The E-861 (see p.1-20) includes a complete NEXACT® servo-controller with low-noise drivers and a powerful DSP. It also comes with ample software for easy integration and highly effective computer control. For applications which do not require the highest reso-

lution, the E-862 (see p. 3-10) lower-priced drive electronics, can be ordered.

The products described in this document are in part protected by the following patents:

German Patent No. P4408618.0

Technical Data (Preliminary)

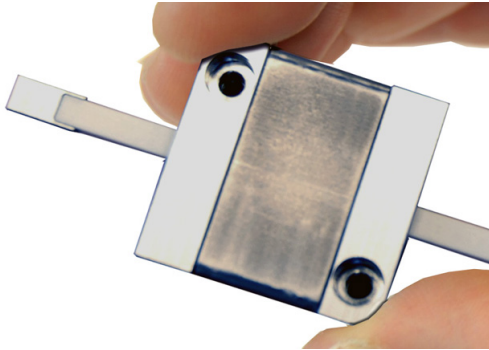
Model	N-381.30	N-381.3A
Active axes	X	X
Motion and positioning		
Travel range	30 mm	30 mm
Step size (in step mode)	0.1 to 15 µm	–
Integrated sensor	–	Incremental linear encoder
Sensor resolution	–	20 nm*
Travel range in analog mode	7 µm	7 µm
Open-loop resolution	0.03 nm**	0.03 nm**
Closed-loop resolution	–	20 nm*
Step frequency	0 to 800 Hz	–
Max. velocity	10 mm/s*	10 mm/s*
Mechanical properties		
Stiffness in motion direction	2.4 N/µm	2.4 N/µm
Max. push / pull force (active)	10 N	10 N
Max. holding force (passive)	15 N	15 N
Lateral force	10 N	10 N
Drive properties		
Drive type	NEXACT® linear drive	NEXACT® linear drive
Operating voltage	-10 V to +45 V	-10 V to +45 V
Miscellaneous		
Operating temperature range	0 to 50 °C	0 to 50 °C
Material	Stainless steel / CFRP	Stainless steel / CFRP
Mass	250 g	255 g
Cable length	1.5 m	1.5 m
Connector	15-pin HD-Sub-D connector, one channel	15-pin HD-Sub-D connector, one channel
Recommended controller/driver	E-860 series (see p. 1-20)	E-861.1A1 (see p. 1-20)

*With E-861. Depending on drive electronics.

**Depending on the drive electronics. 1 nm with E-861.

N-310 NEXACT® OEM Nano-Positioning Actuator

Compact, High-Speed PiezoWalk® Drive



N-310 Nano-Positioning Actuator

- 20 to 125 mm Standard Travel Range, Flexible Choice of the Runner Length
- Compact and Cost-Effective Design
- 0.03 nm Resolution**
- To 10 N Push/Pull Force
- Low Operating Voltage
- Self Locking at Rest, No Heat Generation, Nanometer Stability
- Non-Magnetic and Vacuum-Compatible Working Principle

N-310 NEXACT® PiezoWalk® linear drives feature travel ranges of up to 125 mm and push/pull force capacities to 10 N in a compact package of only 25 x 25 x 12 mm. With their high resolution, NEXACT® drives, are ideal for high-precision positioning over long travel ranges.

Application Examples

- Semiconductor technology
- Wafer inspection
- Nano lithography
- Surface Measurement Technique
- Profilometry
- Microscopy
- Motion in strong magnetic fields

The N-310 can be operated in open-loop and closed-loop mode (with the addition of an external position sensor). A variety of NEXACT® controllers facilitates the integration into micro- or nanopositioning applications.

Working Principle for Application Flexibility

NEXACT® PiezoWalk® technology overcomes the limitations of conventional nanopositioning drives and combines virtually unlimited travel ranges with high stiffness in a very small package. Furthermore, NEXACT® actuators provide piezo-class resolution (far below one nanometer) and millisecond responsiveness. The special drive design reduces the operating voltage to 45 V and below.

In operation, piezoceramic bending elements act on the runner, which is connected to the moving part of the application. The length of the runner determines the travel range. Force capacity, resolution and velocity are determined by the piezo geometry and drive electronics and are scalable. To move the runner over longer distances the stepping mode is used, whereas for distances smaller than one step, the linear (analog) mode enables high-dynamics positioning with resolutions far below one nanometer.

Wear- and Maintenance-Free

In contrast to ordinary DC or stepper motor drives, the PiezoWalk® drives effect linear motion directly, without the need to transform rotation with mechanical elements such as gears, leadscrews and nuts. Therefore, mechanical limitations such as backlash and wear are eliminated and the drive is maintenance-free.

Self-Locking PiezoWalk® Piezo Stepping Drive

NEXLINE® and NEXACT® exhibit high stiffness and are self-locking even when powered down due to the clamping action of the piezo actuators in the mechanics. This entails nanometer position stability at rest, with no heat generation or servo-dither.

Controller and Drive Electronics Optimized for the Application

NEXACT® actuators require special drive electronics to control the complex stepping sequences. The E-860 series NEXACT® controllers are available in different open- and closed-loop versions. For example, the E-861 includes a complete NEXACT® servo-con-

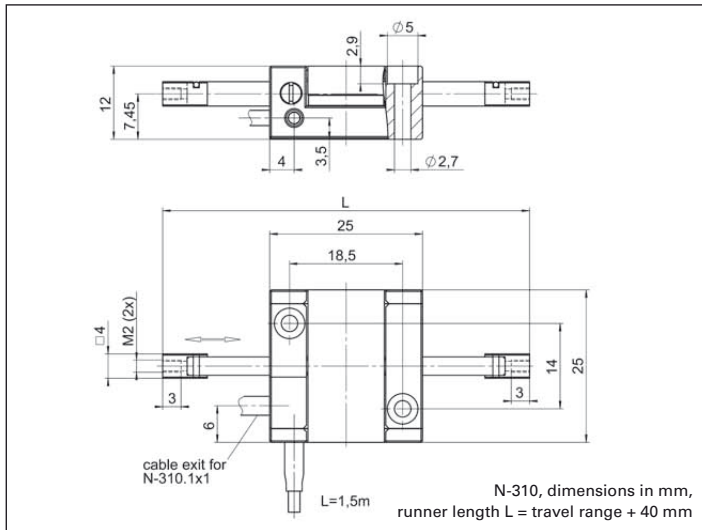
Ordering Information

- N-310.11**
NEXACT® PiezoWalk® OEM Linear Drive, 20 mm, 10 N
- N-310.111**
NEXACT® PiezoWalk® OEM Linear Drive, 20 mm, 10 N, Shifted Cable Exit
- N-310.12**
NEXACT® OEM Linear Drive, 30 mm, 10 N
- N-310.121**
NEXACT® OEM Linear Drive, 30 mm, 10 N, Shifted Cable Exit
- N-310.13**
NEXACT® OEM Linear Drive, 50 mm, 10 N
- N-310.131**
NEXACT® OEM Linear Drive, 50 mm, 10 N, Shifted Cable Exit
- N-310.14**
NEXACT® OEM Linear Drive, 75 mm, 10 N
- N-310.141**
NEXACT® OEM Linear Drive, 75 mm, 10 N, Shifted Cable Exit
- N-310.15**
NEXACT® OEM Linear Drive, 100 mm, 10 N
- N-310.151**
NEXACT® OEM Linear Drive, 100 mm, 10 N, Shifted Cable Exit
- N-310.16**
NEXACT® OEM Linear Drive, 125 mm, 10 N
- N-310.161**
NEXACT® OEM Linear Drive, 125 mm, 10 N, Shifted Cable Exit

Ask about custom designs!

troller with low-noise, 24-bit drivers and a powerful DSP. It also comes with ample software for easy integration and highly effective computer control. For applications which do not require the highest resolution, the E-862 lower-priced drive electronics can be ordered.

The products described in this document are in part protected by the following patents: German Patent No. P4408618.0



Translation stage with N-310 NEXACT® drive. The positioner offers 20 mm travel range with an encoder resolution of 25 nm

Technical Data

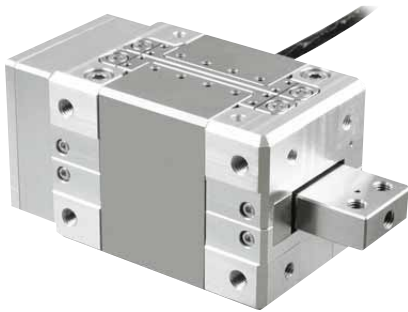
Model	N-310	Tolerance
Active axes	X	
Motion and positioning		
Travel range	N-310.11: 20 mm N-310.12: 30 mm N-310.13: 50 mm N-310.14: 75 mm N-310.15: 100 mm N-310.16: 125 mm	
Step size (in step mode)	5 nm to 5 µm	
Travel range in analog operation	7 µm	max.
Open-loop resolution	0.03 nm**	typ.
Step frequency	1.5 kHz*	max.
Max. speed	10 mm/s*	max.
Mechanical properties		
Push/Pull force (active)	10 N	max.
Drive properties		
Drive type	NEXACT® linear drive	
Operating voltage	-10 V to +45 V	
Miscellaneous		
Operating temperature range	0 to 50 °C	
Body material	Stainless steel, non-magnetic	
Mass	50 g (20 mm travel range)	±5%
Cable length	1.5 m	±10 mm
Connector	HD Sub-D connector 15 pin, single channel	
Recommended controller/driver	E-862, E-861 (see p. 1-20)	

*Depending on the control electronics.

**Depending on the drive electronics. 1 nm with E-861.

N-216 NEXLINE® Linear Nano-Positioning Actuator

High-Force PiezoWalk® Drive for Long-Range Nanopositioning



N-216 NEXLINE® High-Load Actuator. Feed motion is realized by piezo stepping motion which allows basically unlimited travel ranges with nanometer accuracy

- Travel Range 20 mm
- Resolution to 0.03 nm Open-Loop, 5 nm Closed-Loop
- Up to 800 N Holding Force
- Self Locking at Rest
- Non-Magnetic and Vacuum-Compatible Working Principle
- Cleanroom Compatible

N-216 NEXLINE® high-load linear actuators are ultra-precision nanopositioning actuators with travel ranges to 20 mm and push / pull forces to 600 N. The operating principle is based on coordinated motion of a number of highly preloaded linear and shear piezo elements acting on a runner. NEXLINE® drives combine long travel ranges with piezo-class precision.

N-216 comes in two versions for open- or closed-loop operation, as well as in two different load configurations. Closed-loop versions are equipped with a linear encoder for direct

position measurement of the moving runner. The encoder features 5 nm resolution over the full travel range. In open-loop operation a positioning resolution to 30 picometers can be realized by use of the high-dynamics analog operation mode.

Unlimited Lifetime

The application area of NEXLINE® drives often lies in the difficult-to-access internals of machines, where nanometer-realm adjustment and vibration cancellation are required. Long lifetime is therefore a basic requirement for NEXLINE® actuators. To promote long lifetime, the controller can reduce the operating voltage on all the piezo elements to zero at any position and still maintain the full holding force.

One Working Principle – Different Operating Modes

NEXLINE® PiezoWalk® drives overcome the limitations of conventional nanopositioning systems in their combination of long travel ranges and high resolution and stiffness. The piezo-ceramic clamping and shear

elements act directly on a moving runner that is coupled to the moved object. While in full step mode the runner can be moved over larger distances with maximum velocity, nanostepping mode allows uniform motion with highly constant speed. In open-loop operation any position resolution may be achieved which only depends on the stability of the control signal. Analog operation over a distance of less than one step enables high-dynamics positioning with resolutions far below one nanometer.

Choice of Controllers for Optimization

NEXLINE® operation is supported by two motion controller models providing different features. The E-755 controller offers full functionality for nanometer precise positioning. The E-712 supplies more sophisticated linearization algorithms resulting in very smooth motion with highly constant velocity. It can also provide higher speed with maximum force.

Ordering Information

N-216.10
NEXLINE® Piezo Stepping High-Load Actuator, 20 mm, 300 N, Open-Loop

N-216.1A
NEXLINE® Piezo Stepping High-Load Actuator, 20 mm, 300 N, Linear Encoder, 5 nm Resolution

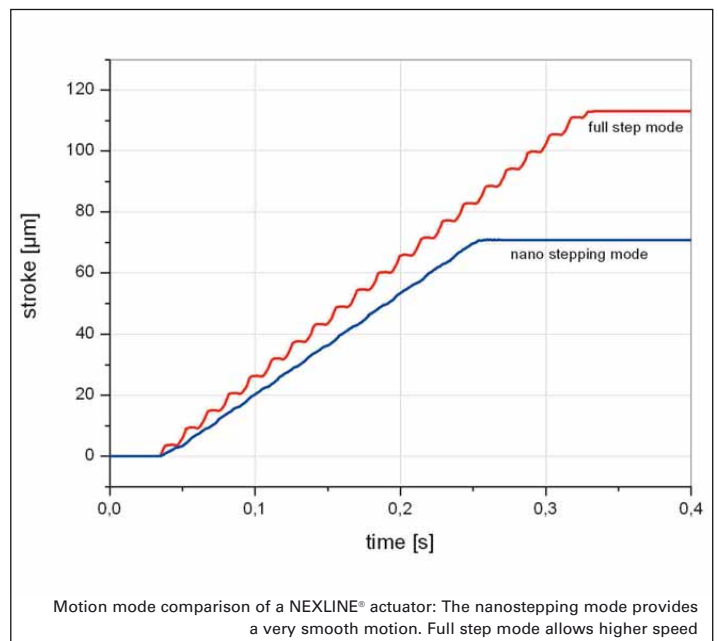
N-216.20
NEXLINE® Piezo Stepping High-Load Actuator, 20 mm, 600 N, Open-Loop

N-216.2A
NEXLINE® Piezo Stepping High-Load Actuator, 20 mm, 600 N, Linear Encoder, 5 nm Resolution

Ask about custom designs!

Patented Technology

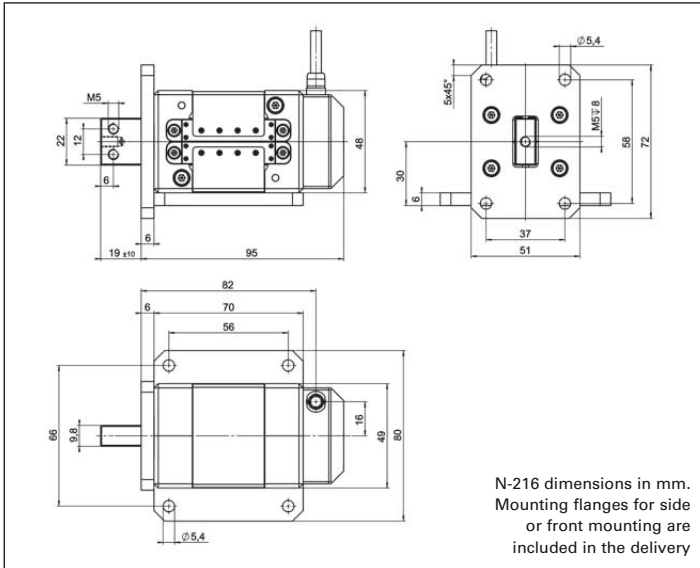
The products described in this document are in part protected by the following patents:
German Patent No. 10148267
US Patent No. 6,800,984



Motion mode comparison of a NEXLINE® actuator: The nanostepping mode provides a very smooth motion. Full step mode allows higher speed

Application Example

- Semiconductor technology
- Semiconductor testing
- Wafer inspection
- Nano lithography
- Nano-imprinting
- Nanometrology
- Active vibration damping
- Motion in strong magnetic fields



6-axis parallel kinematics (Hexapod) with integrated NEXLINE® high-load actuators, suitable for applications in strong magnetic fields

Technical Data

Model	N-216.10 / N-216.1A	N-216.20 / N-216.2A	Tolerance
Active axes	X	X	
Motion and positioning			
Displacement	20 mm	20 mm	
Step size (in step mode)	10 nm to 10 µm	10 nm to 10 µm	
Travel range in analog mode	±3 µm	±3 µm	
Integrated sensor	N-216.10: none N-216.1A: linear encoder	N-216.20: none N-216.2A: linear encoder	
Open-loop resolution	0.03 nm	0.03 nm	typ.
Closed-loop resolution	- / 5 nm (N-216.1A)	- / 5 nm (N-216.2A)	
Max. velocity (10% duty cycle, full step mode)*	1.0 mm/s	1.0 mm/s	
Max. velocity (100% duty cycle, full step mode)*	0.6 mm/s	0.6 mm/s	
Max. velocity (100% duty cycle, nanostepping mode)**	0.4 mm/s	0.4 mm/s	
Mechanical properties			
Drive force (active)***	300 N	600 N	max.
Holding force (passive)	400 N	800 N	min.
Drive properties			
Motor type	NEXLINE®	NEXLINE®	
Operating voltage	±250 V	±250 V	
Miscellaneous			
Operating temperature range	-40 to 80 °C	-40 to 80 °C	
Material	Aluminum, stainless steel	Aluminum, stainless steel	
Mass	1150 g	1250 g	
Cable length	2.0 m	2.0 m	
Connector	Sub-D connector NEXLINE® single-channel N-216.1A: plus sensor connector	Sub-D connector NEXLINE® single-channel N-216.2A: plus sensor connector	
Recommended controller	E-755, E-712	E-755, E-712	

* Depending on drive electronics. Data refer to operation together with E-712 controller.

** Depending on drive electronics. Data refer to operation together with E-712 controller. Together with the E-755 controller a velocity of up to 0.1 mm/s (closed-loop) and 0.2 mm/s (open-loop) can be achieved. The maximum speed in nanostepping mode is set so as to ensure the highest possible velocity constancy, with no speed fluctuations while steps are being performed.

*** Data refer to full step mode operation.

N-111 NEXLINE® OEM Linear Nano-Positioning Actuator

Nanopositioning Over Long Travel, PiezoWalk® Principle



N-111 compact OEM nan positioning actuator. In principle the movement by piezo steps allows an infinite travel range

- Travel Range 10 mm
- Resolution to 0.025 nm Open-Loop, 5 nm Closed-Loop
- Up To 50 N Force Generation and 70 N Holding Force
- Self Locking at Rest, No Heat Generation
- Non-Magnetic and Vacuum-Compatible Working Principle
- Cleanroom Compatible

The innovative N-111 NEXLINE® OEM linear actuators are compact actuators for nanopositioning with travel ranges to 10 mm, high resolution, and generated forces to 50 N. The operating principle is based on coordinated motion of a number of highly preloaded linear and shear piezo elements acting on a runner. NEXLINE® drives thus combine long travel ranges with piezo-class pre-

cision. For closed-loop operation without an additional position sensor the N-111.2A is equipped with a linear encoder that provides 5 nm resolution over the full travel range. In open-loop operation position resolution down to 25 picometers can be achieved by use of a high-dynamics analog mode.

NEXLINE® Working Principle for Application Flexibility

NEXLINE® PiezoWalk® drives can be used wherever high loads must be positioned very precisely over long distances and then perhaps subjected to small-amplitude dynamic adjustment, as for active vibration control. By varying the combination of longitudinal and shear piezo elements, the step size, dynamic operating range (analog travel), clamping force, speed and stiffness can all be optimized for a particular application.

One Working Principle – Different Operating Modes

NEXLINE® PiezoWalk® drives overcome the limitations of conventional nanopositioning systems in their combination of long travel ranges and high resolution and stiffness. The piezoceramic clamping and shear elements act directly on a moving runner that is coupled to the moved object. While in full step mode the runner can be moved over larger distances with maximum velocity, nanostepping mode allows uniform motion with highly constant speed. In open-loop operation any position resolution may be achieved which only depends on the stability of the control signal. Analog operation over a distance of less than one step enables high-dynamics positioning with resolutions far below one nanometer.

Choice of Controllers for Optimization

NEXLINE® operation is supported by two motion controller models providing different features. The E-755 controller offers full functionality for nanometer precise positioning. The E-712 supplies more sophisticated linearization

Ordering Information

- N-111.20**
NEXLINE® OEM Piezo Stepping Actuator, 10 mm, 50 N
 - N-111.2A**
NEXLINE® OEM Piezo Stepping Actuator, 10 mm, 50 N, Linear Encoder, 5 nm Resolution
- Ask about custom designs!**

algorithms resulting in very smooth motion with highly constant velocity. It can also provide higher speed with maximum force.

Patented Technology

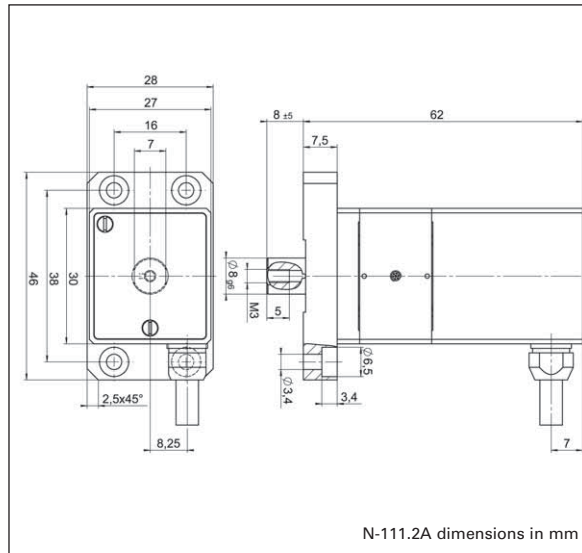
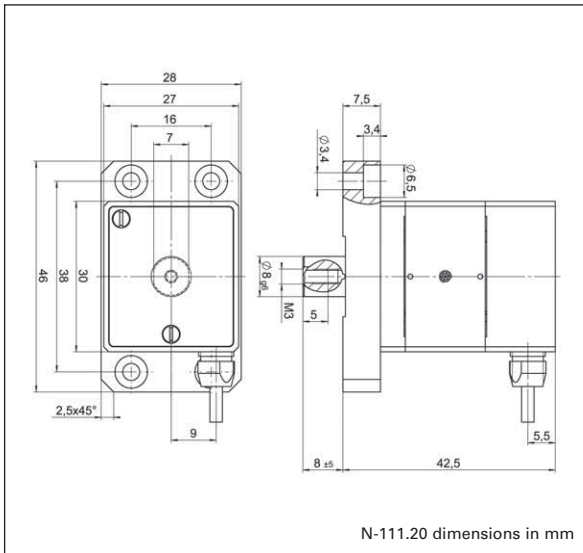
The products described in this document are in part protected by the following patents:
German Patent No. 10148267
US Patent No. 6,800,984

Application Examples

- Semiconductor technology
- Semiconductor testing
- Wafer inspection
- Nano lithography
- Nano-imprinting
- Nanometrology
- Active vibration damping
- Motion in strong magnetic fields



Z / tip / tilt platform with NEXLINE® drives and position sensors; 300 mm (12") diameter, 200 N load capacity, 1.3 mm travel range, 10 mrad tilt range



Technical Data

Model	N-111.20	N-111.2A	Tolerance
Active axes	X	X	
Motion and positioning			
Travel range	10 mm	10 mm	
Step size (in step mode)	10 nm to 7 μ m	10 nm to 7 μ m	
Travel range in analog mode	± 2 μ m	± 2 μ m	
Integrated sensor	–	Linear encoder	
Open-loop resolution	0.025 nm	0.025 nm	typ.
Closed-loop resolution	–	5 nm	
Max. velocity (10 % duty cycle, full step mode)*	1.0 mm/s	1.0 mm/s	
Max. velocity (100 % duty cycle, full step mode)*	0.6 mm/s	0.6 mm/s	
Max. velocity (100 % duty cycle, nanostepping mode)**	0.4 mm/s	0.4 mm/s	
Mechanical properties			
Stiffness in motion direction	16 N/ μ m	16 N/ μ m	$\pm 20\%$
Drive force (active)***	50 N	50 N	max.
Holding force (passive)	70 N	70 N	min.
Drive properties			
Motor type	NEXLINE®	NEXLINE®	
Operating voltage	± 250 V	± 250 V	
Miscellaneous			
Operating temperature range	-40 to 80 °C	-40 to 80 °C	
Material	Aluminium stainless steel, titanium	Aluminium stainless steel, titanium	
Mass	245 g	325 g	
Cable length	1.5 m	1.5 m	± 10 mm
Connector	Sub-D connector NEXLINE® single-channel	Sub-D connector NEXLINE® single-channel plus sensor connector	
Recommended controller	E-755,101, E-712	E-755.1A1, E-712	

* Depending on drive electronics. Data refer to operation together with E-712 controller.

** Depending on drive electronics. Data refer to operation together with E-712 controller. Together with the E-755 controller a velocity of up to 0.1 mm/s (closed-loop) and 0.2 mm/s (open-loop) can be achieved. The maximum speed in nanostepping mode is set so as to ensure the highest possible velocity constancy, with no speed fluctuations while steps are being performed.

*** Data refer to full step mode operation.

Program Overview

- Piezo Ceramic Actuators & Motors
- Piezo Nanopositioning Systems and Scanners
- Active Optics / Tip-Tilt Platforms
- Capacitive Nanometrology Sensors
- Piezo Electronics: Amplifiers and Controllers
- Hexapod 6-Axis Positioners / Robots
- Micropositioning Stages & Actuators
- Photonics Alignment Systems, Solutions for Telecommunications
- Motor Controllers
- Ultrasonic Linear Motors

Request or download the complete PI Nanopositioning & Piezo Actuator Catalog



USA (East) & CANADA

PI (Physik Instrumente) L.P.
16 Albert St.
Auburn, MA 01501
Tel: +1 (508) 832 3456
Fax: +1 (508) 832 0506
info@pi-usa.us
www.pi-usa.us

JAPAN

PI Japan Co., Ltd.
Akebono-cho 2-38-5
Tachikawa-shi
J-Tokyo 190
Tel: +81 (42) 526 7300
Fax: +81 (42) 526 7301
info@pi-japan.jp
www.pi-japan.jp

CHINA

**Physik Instrumente
(PI Shanghai) Co., Ltd.**
Building No. 7-301
Longdong Avenue 3000
201203 Shanghai, China
Tel: +86 (21) 687 900 08
Fax: +86 (21) 687 900 98
info@pi-china.cn
www.pi-china.cn

FRANCE

PI France S.A.S
244 bis, avenue Max Dormoy
92120 Montrouge
Tel: +33 (1) 55 22 60 00
Fax: +33 (1) 41 48 56 62
info.france@pi.ws
www.pi-france.fr

GERMANY

**Physik Instrumente (PI)
GmbH & Co. KG**
Auf der Römerstr. 1
D-76228 Karlsruhe/Palmbach
Tel: +49 (721) 4846-0
Fax: +49 (721) 4846-100
info@pi.ws · www.pi.ws

USA (West) & MEXICO

PI (Physik Instrumente) L.P.
5420 Trabuco Rd., Suite 100
Irvine, CA 92620
Tel: +1 (949) 679 9191
Fax: +1 (949) 679 9292
info@pi-usa.us
www.pi-usa.us

PI Japan Co., Ltd.
Hanahara Dai-ni Building, #703
4-11-27 Nishinakajima,
Yodogawa-ku, Osaka-shi
J-Osaka 532
Tel: +81 (6) 6304 5605
Fax: +81 (6) 6304 5606
info@pi-japan.jp
www.pi-japan.jp

UK & IRELAND

PI (Physik Instrumente) Ltd.
Trent House
University Way,
Cranfield Technology Park,
Cranfield,
Bedford MK43 0AN
Tel: +44 (1234) 756 360
Fax: +44 (1234) 756 369
uk@pi.ws
www.physikinstrumente.co.uk

ITALY

Physik Instrumente (PI) S.r.l.
Via G. Marconi, 28
I-20091 Bresso (MI)
Tel: +39 (02) 665 011 01
Fax: +39 (02) 873 859 16
info@pionline.it
www.pionline.it